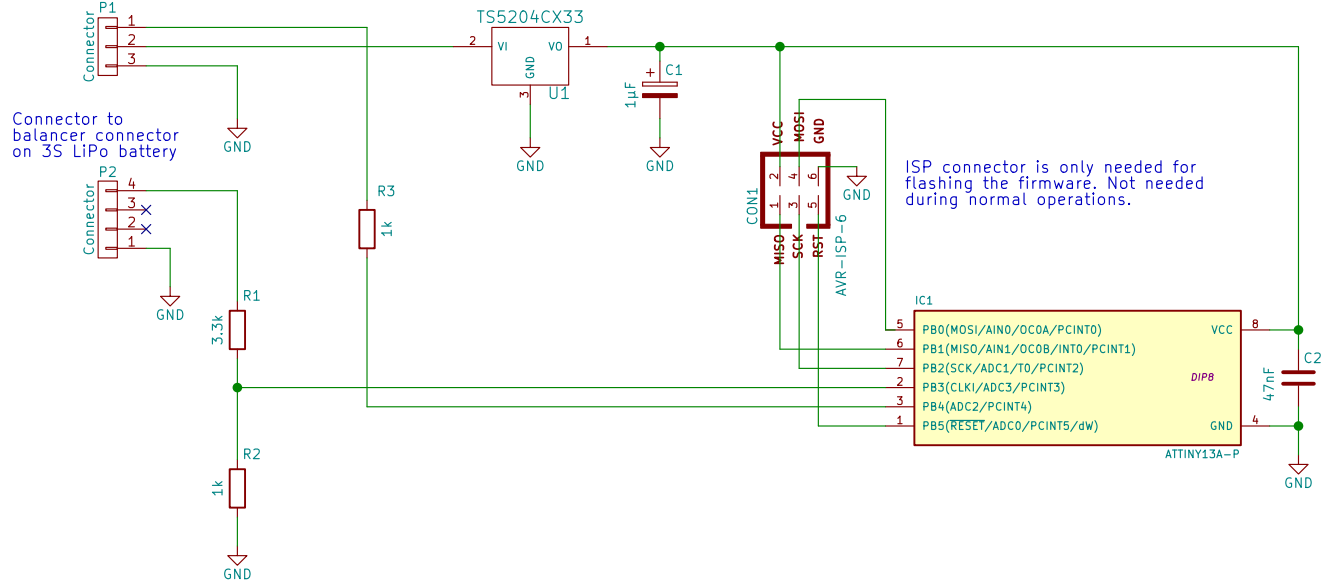


Connector to telemetrie port on receiver (e.g. GR-24)

Connector to balancer connector on 3S LiPo battery



ISP connector is only needed for flashing the firmware. Not needed during normal operations.

Voltage sensor for RC planes (HoTT system compatible)

Sheet: /
File: HoTT_voltage_sensor.sch

Title:

Size: A4 Date: / /
KiCad E.D.A. kicad 0.201511041201+629730ubuntu14.04.1-product

Rev: / /
Id: 1/1